

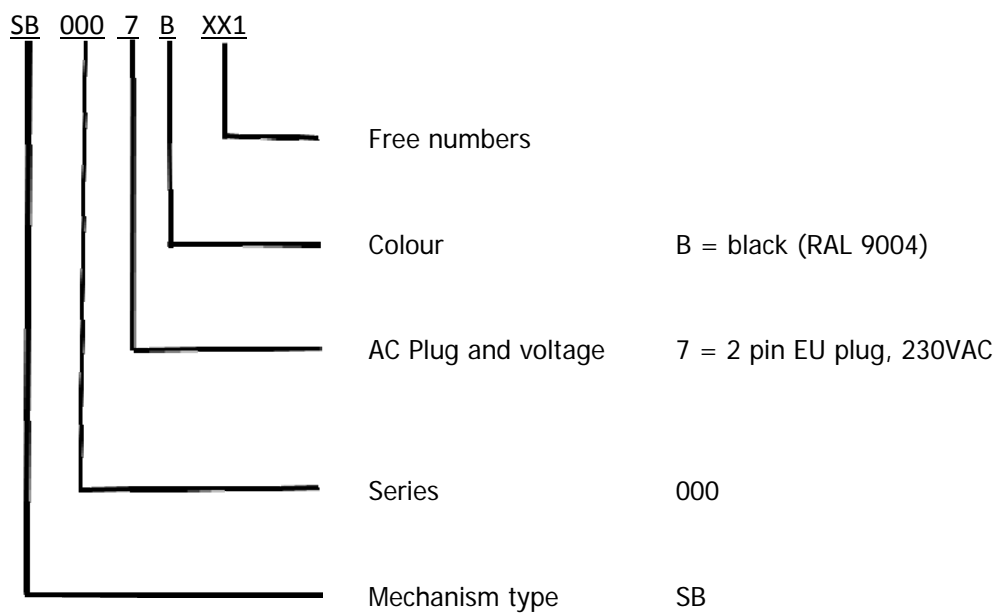
Table of contents

Article numbers	page 3
Packing details	page 4
Bill of materials	page 5
Assembly and use	page 6
Dimensions	page 7
Specifications	page 8
Safety & test	page 9

Article numbers

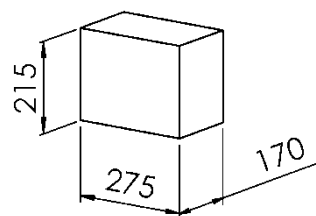
Article number	EAN code
SB000 7BXX1	5 708499 110396

Ordering example

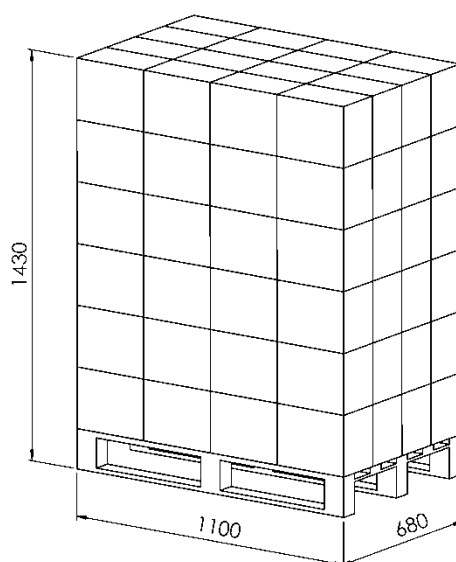


Packing details

1 pcs.



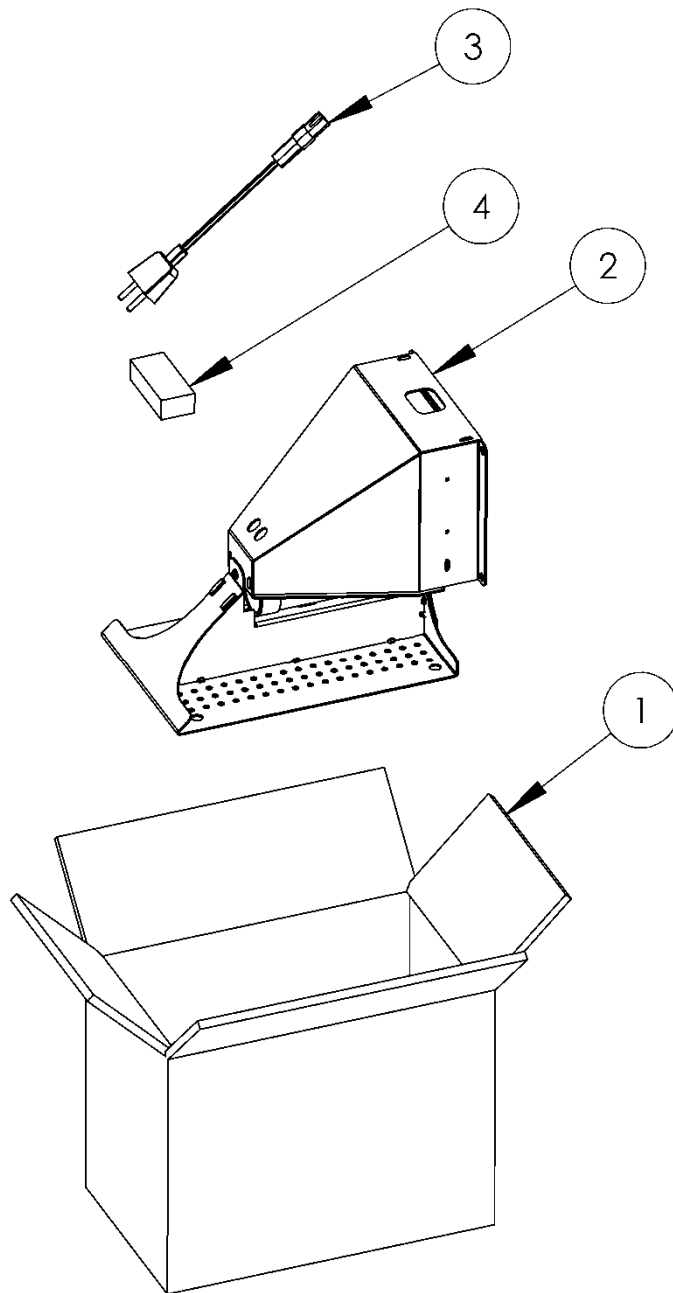
3,4 kg



96 pcs.

340 kg

Bill of materials

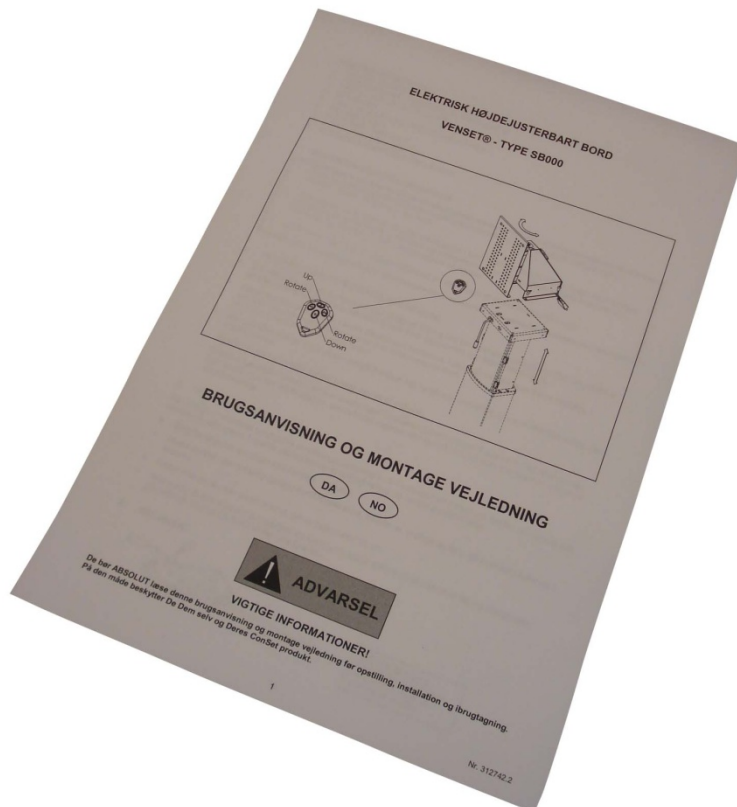


ITEM NO.	QTY.	PART NO.	DESCRIPTION
1	1	315990	Cardboard box
2	1	109990	SB000 assembly
3	1	316000	AC wire with plugs, US
4	1	110660	Mounting bag

Assembly and use

After installation of the mechanism, the electrical components can be connected. All wires have DC jacks and since using different types (size- male/female) only the correct connection can be made.

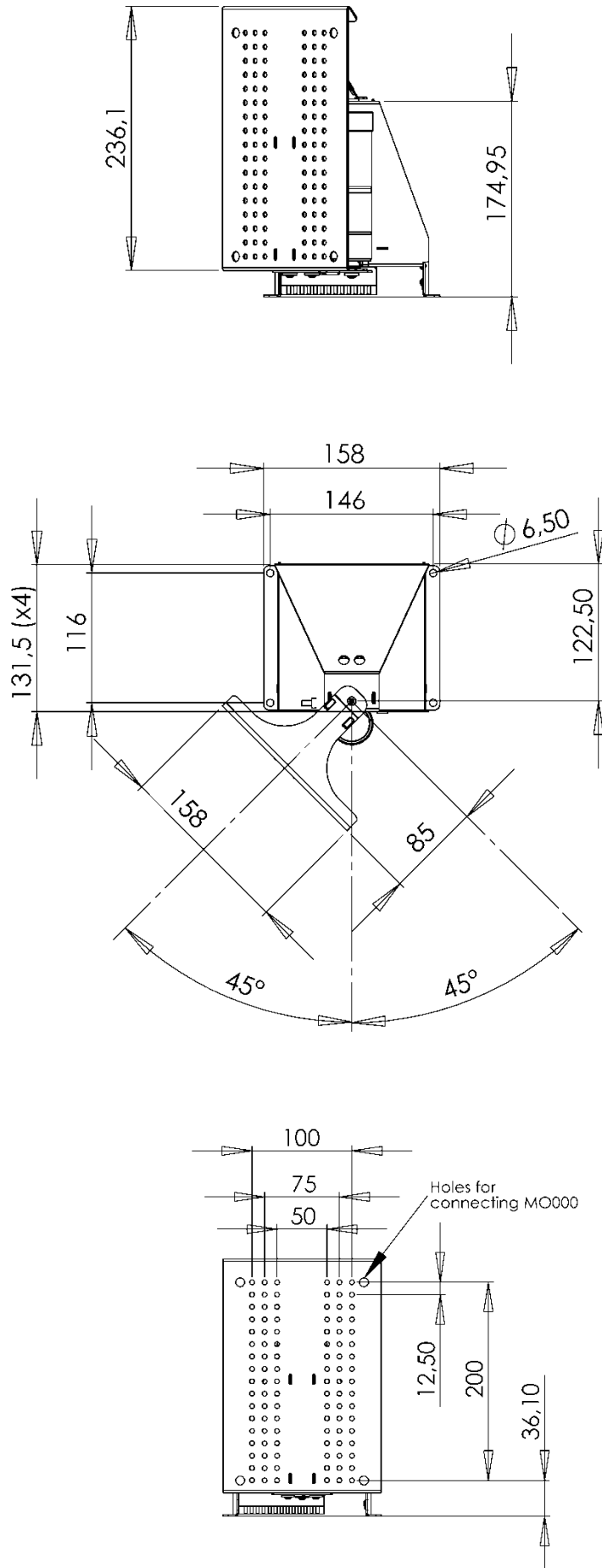
All products come with an instruction manual.



The mechanism can now be operated by using the supplied RF remote unit. Push the side buttons and the swivel will rotate. Push up and down and an eventual combined column (DF019) will move up and down.



Dimensions



Specifications**Mechanism**

Angle of rotation	+/- 45 degrees
Weight capacity	50 kilos
VESA	50x50 – 75x75 – 100x100 – 100x200 – 200x200

Component

Metal sheet parts:	St 37-2
Gear parts:	St 70-2
Gear motor:	CS no. 110010
Power supply:	90W AC SMPS Power Transformer Consumption: 2 Watts; Standby: Max 0,9 Watts
Plastic components:	POM, PEHD, ABS
Surface treatment	Visible metal parts powder coated in "alu" colour Non visible metal parts are surface treated (e.g. zinc plated)
Remote system	RF signal operated (Radio frequency – 433,92Hz)

Safety & test

DECLARATION OF CONFORMITY

We hereby declare, under our sole responsibility that the following products:

- ConSet sit and stand tables product type 501-19

which are covered by this statement, are in conformity with the following standards and other normative documents::

- Counsel Directive 98/37/EF
- Counsel Directive 89/336/EØF with later changes
- Counsel Directive 73/23/EØF with later changes

With reference to the Machinery Directive (98/37/EF) please be aware:

- the sit and stand table is considered a machine and
- the sit and stand table may not be used until it has been assembled and installed according to the instructions.