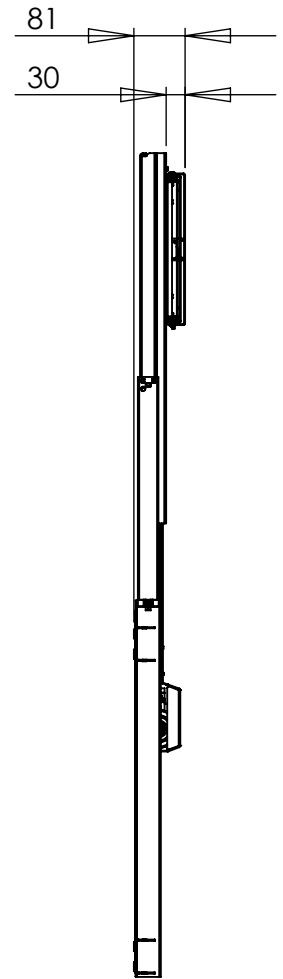
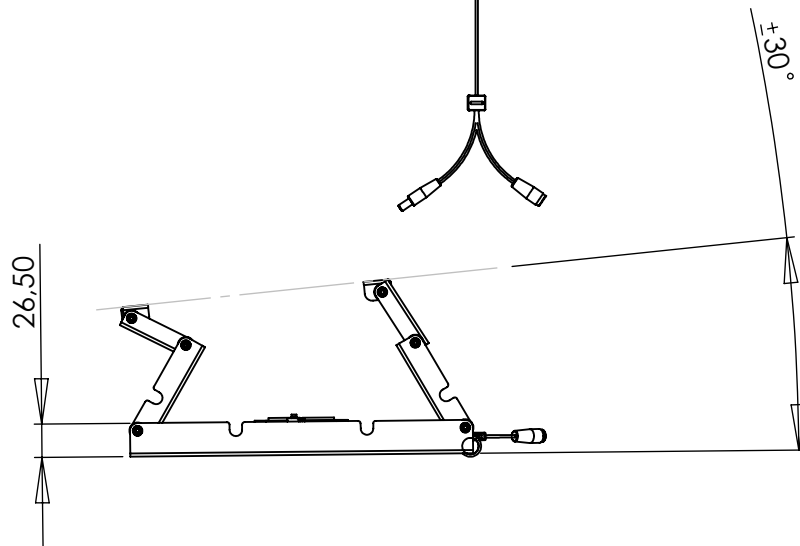


Connection holes to TV-Lift



Mounting example; TS700



DO NOT SCALE DRAWING	SHEET 3 OF 6			<b>VENSET A/S</b> Nygade 63 DK-6900 Skjern Denmark
UNLESS OTHERWISE SPECIFIED: DIMENSIONS ARE IN MILLIMETERS TOLERANCES: LINEAR: According to ANGULAR: DIN 7168-m	DRAWN	NAME AL	DATE 19-04-24	TITLE:
	CHECKED			SB001 main measures
<b>PROPRIETARY AND CONFIDENTIAL</b> THE INFORMATION CONTAINED IN THIS DRAWING IS THE SOLE PROPERTY OF VENSET A/S. ANY REPRODUCTION IN PART OR AS A WHOLE WITHOUT THE WRITTEN PERMISSION OF VENSET A/S IS PROHIBITED.	Processes:			DWG NO.
	WEIGHT:			132180