

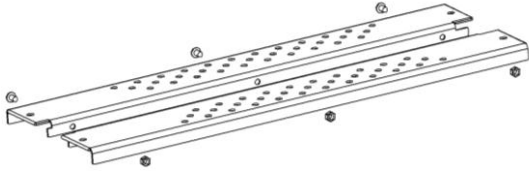
## Mounting instruction MB460, Monitor Bracket

**1a.**

VESA (mm)

50x50, 75x75, 100x100\*, 100x200\*

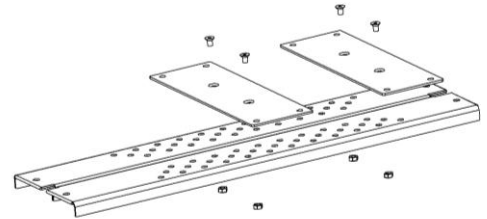
\*Max allowed screw head height = 3,5mm



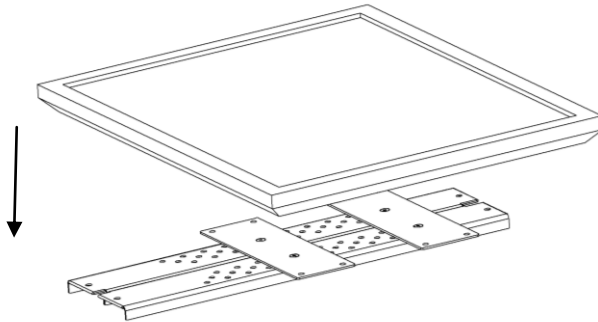
**1b.**

VESA (mm)

200x100, 200x200

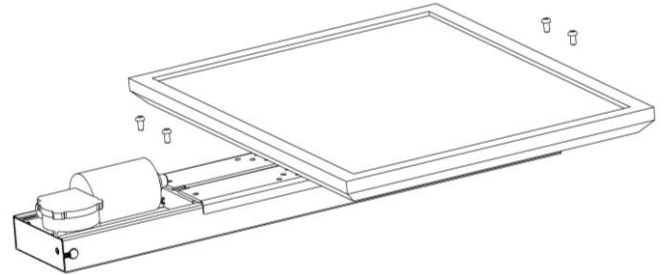


**2.**



Screws not included

**3.**



**4.**

